

NDP-25 Specifications

Port Dimensions (46.2 GPM Max.)

Intake & discharge connection:

Polypropylene (PPG)	1" Female NPT
Kynar® (PVDF)	1" Female NPT
Aluminum (ADC-12)	1" Female NPT
Stainless Steel (316)	1" Female NPT
Cast Iron	1" Female NPT
Air inlet (incl. ball valve):	3/8" Female NPT
Air exhaust (incl. silencer):	3/4" Female NPT

ANSI Flange also available — consult Yamada.

Maximum Liquid Temperature*

Diaphragm Material	Temperature
Neoprene	180°F (82°C)
Buna N	180°F (82°C)
EPDM	212°F (100°C)
Hytrel® (TPC-ET)	248°F (120°C)
Santoprene® (TPE)	212°F (100°C)
Viton® fluoroelastomer	248°F (120°C)
Teflon® (PTFE)	212°F (100°C)

*The maximum liquid temperature for metal and Kynar®-fitted pumps is determined by the elastomer (diaphragm material). Polypropylene pumps have a maximum liquid temperature of 180°F (82°C) regardless of diaphragm material.

Air Supply Pressure (All Models)

20–100 PSI (1.4–7 kfg/cm)

Discharge Volume Per Cycle

Rubber diaphragm: 0.22 gallons (833 cc)
PTFE diaphragm: 0.21 gallons (787 cc)

Maximum Cycles Per Minute

Rubber diaphragm: 210
PTFE diaphragm: 210

Maximum Size Solid

3/16" (4.8 mm)

Maximum Dry Suction Lift

Rubber-fitted pump capability: 18-feet

Air Motors: Aluminum air motors are standard on metal pumps; glass-filled polypropylene air motors are standard on plastic and Kynar® pumps. Optional air motors on page 28.

All Polypropylene, Aluminum, Cast Iron, and SS Hytrel® fitted pumps include Buna N check balls & o-rings and Santoprene® fitted pumps include EPDM check balls & wetted o-rings. Kynar® (PVDF) pumps fitted with Santoprene®, Hytrel®, or Teflon® include Teflon® check balls & o-rings. Kynar®/EPDM fitted pumps include EPDM check balls & o-rings and Viton® fitted include Viton® balls & o-rings.



Aluminum

Dimensions: 11.30" W × 15.08" H

Net Wt.: 27 lbs. (13.0 kg)

Shipping Wt.: 31 lbs.

Kynar® (PVDF)

ANSI Flange Dimensions:

14.40" W × 17.40" H

NPT Dimensions:

14.40" W × 16.90" H

Net Wt.: 29.7 lbs. (13.4 kg)

Shipping Wt.: 33 lbs.

Polypropylene

ANSI Flange Dimensions:

14.40" W × 17.40" H

NPT Dimensions:

14.40" W × 16.90" H

Net Wt.: 29 lbs. (10.9 kg)

Shipping Wt.: 30 lbs.

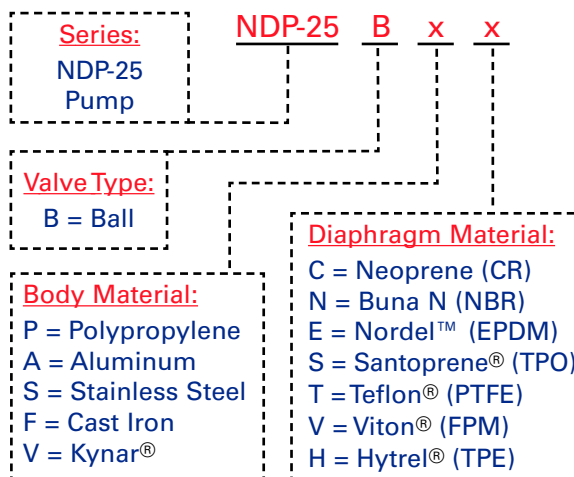
Cast Iron or S.S.

Dimensions: 11.30" W × 15.08" H

Net Wt.: 43 lbs. (19.9 kg)

Ship Wt.: 46 lbs.

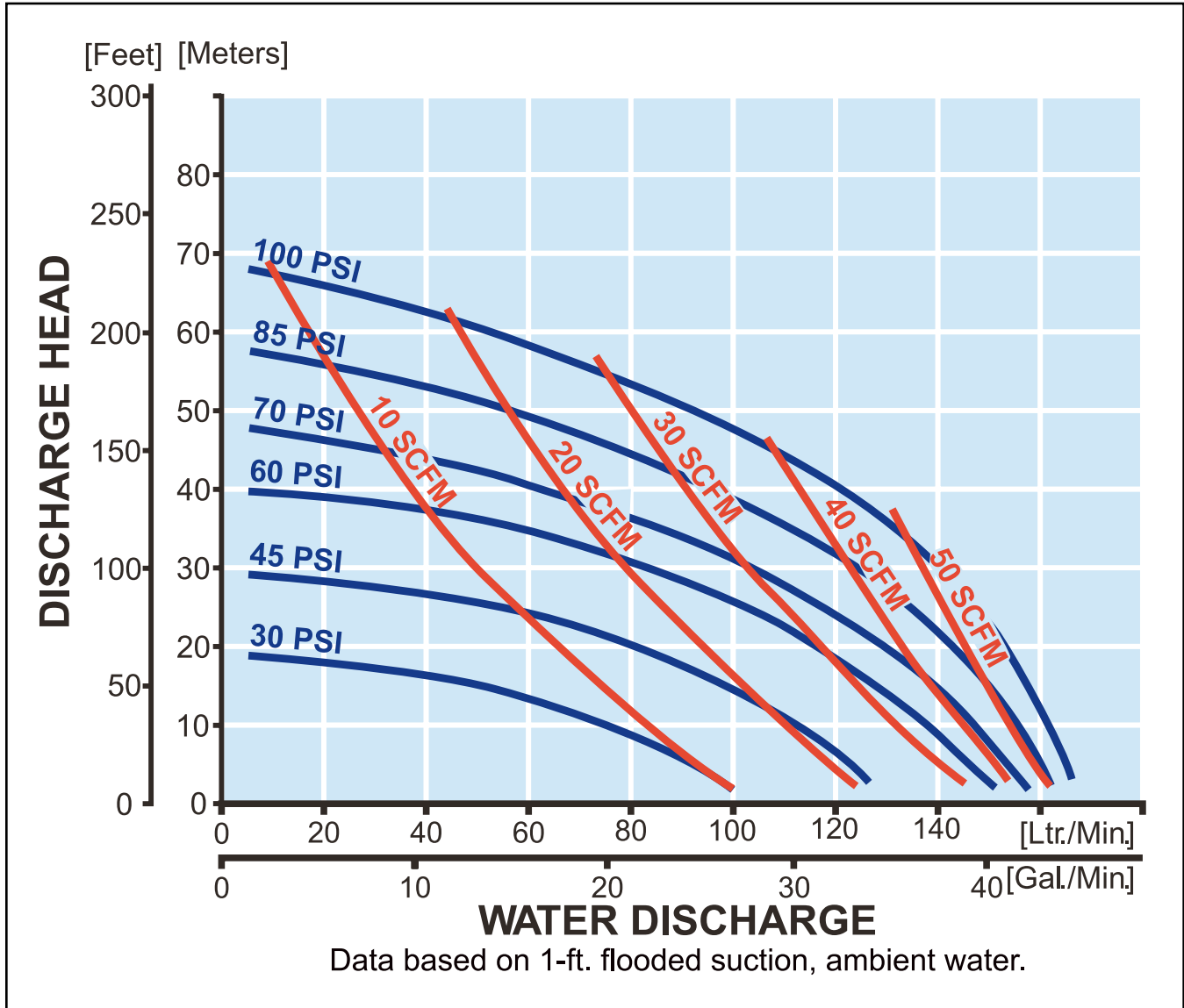
Model Number Nomenclature



Yamada America, Inc. 955 E. Algonquin Road, Arlington Heights, IL 60005
USA Toll-Free: 800 990-7867 Phone: 847 631-9200 Fax: 847 631-9273
E-mail: sales@yamadapump.com Web: yamadapump.com

NDP-25 Performance Curve — Rubber

Rubber Diaphragm Performance Curve



To calculate performance for Santoprene® and Hytrel®-fitted pumps, use Rubber Diaphragm Curve.



PSI Prolew Inc.

975 Selkirk, Pointe-Claire
 Québec, Canada H9R 4S4
 Tél: (514) 697-7867
 Fax: (514) 697-0057

3770A Laird Road, Unit 1,
 Mississauga, ON L5L 0A7
 Tel: (905) 820-6330
 Fax: (905) 820-6338

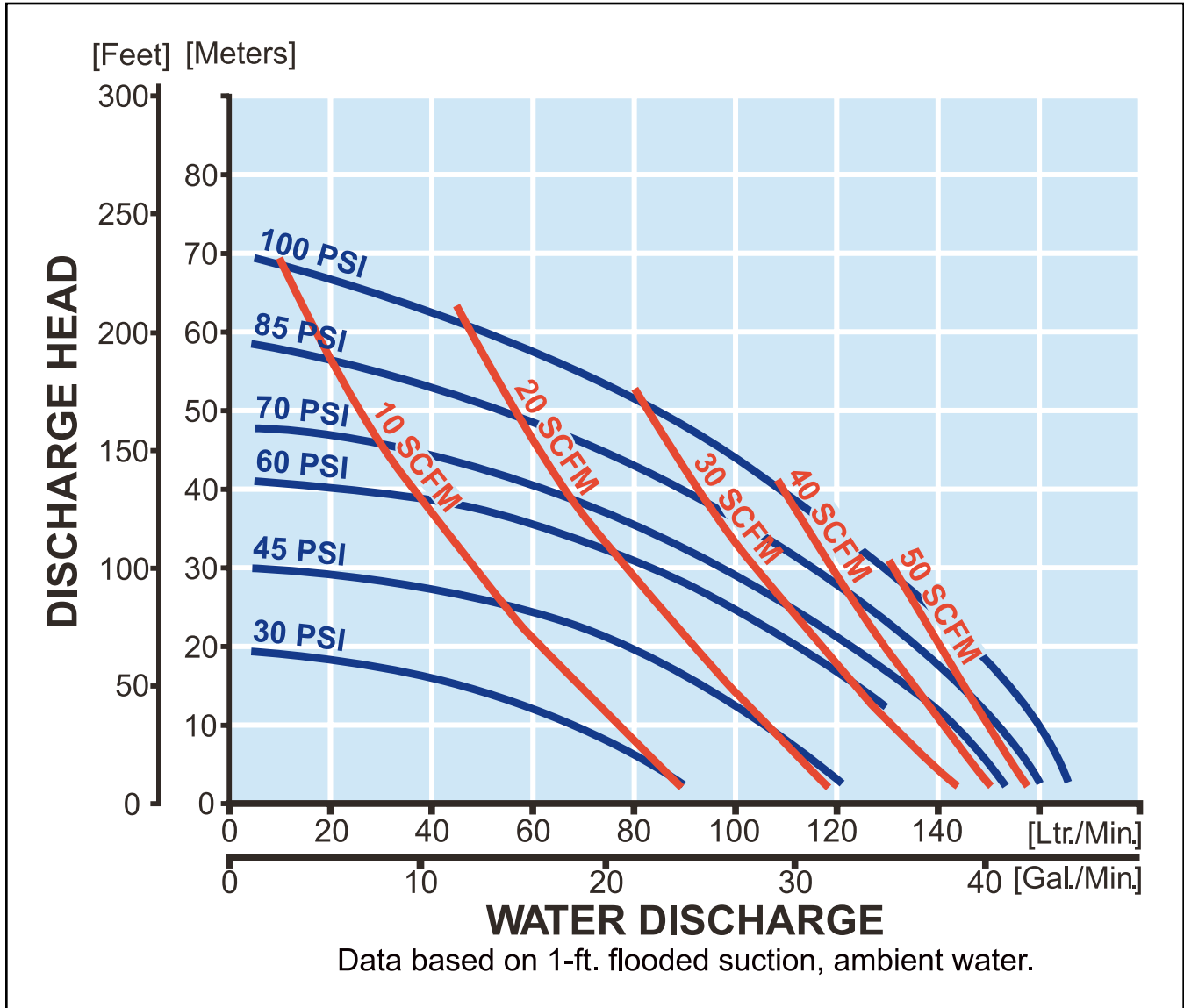
www.psiprolew.com



Yamada America, Inc. 955 E. Algonquin Road, Arlington Heights, IL 60005
 USA Toll-Free: 800 990-7867 Phone: 847 631-9200 Fax: 847 631-9273
 E-mail: sales@yamadapump.com Web: yamadapump.com

NDP-25 Performance Curve — PTFE

PTFE Diaphragm Performance Curve



To calculate performance for Santoprene® and Hytrel®-fitted pumps, use Rubber Diaphragm Curve.



PSI Prolew Inc.

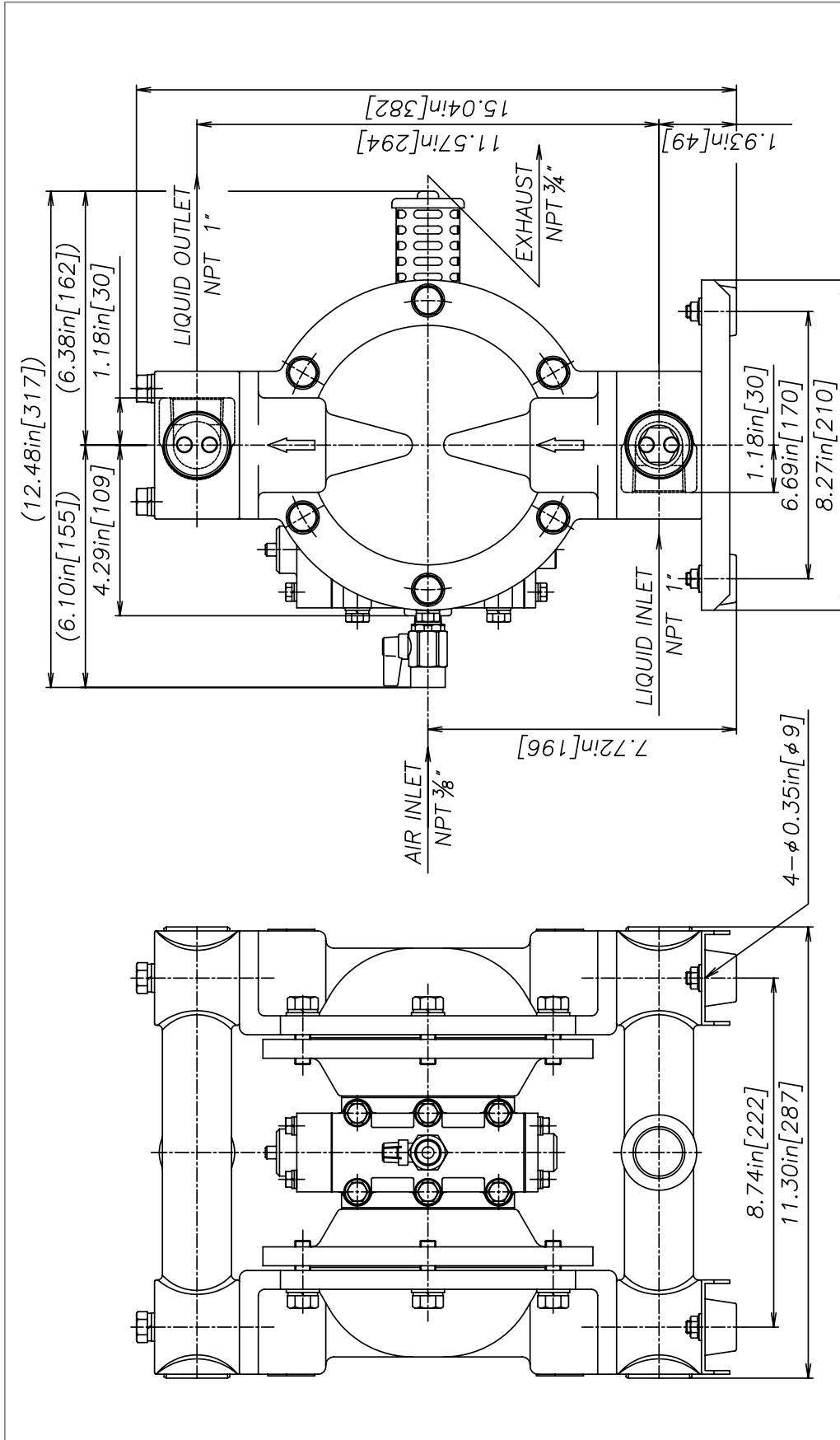
975 Selkirk, Pointe-Claire
 Québec, Canada H9R 4S4
 Tél: (514) 697-7867
 Fax: (514) 697-0057

3770A Laird Road, Unit 1,
 Mississauga, ON L5L 0A7
 Tel: (905) 820-6330
 Fax: (905) 820-6338

www.psiprolew.com



Yamada America, Inc. 955 E. Algonquin Road, Arlington Heights, IL 60005
 USA Toll-Free: 800 990-7867 Phone: 847 631-9200 Fax: 847 631-9273
 E-mail: sales@yamadapump.com Web: yamadapump.com

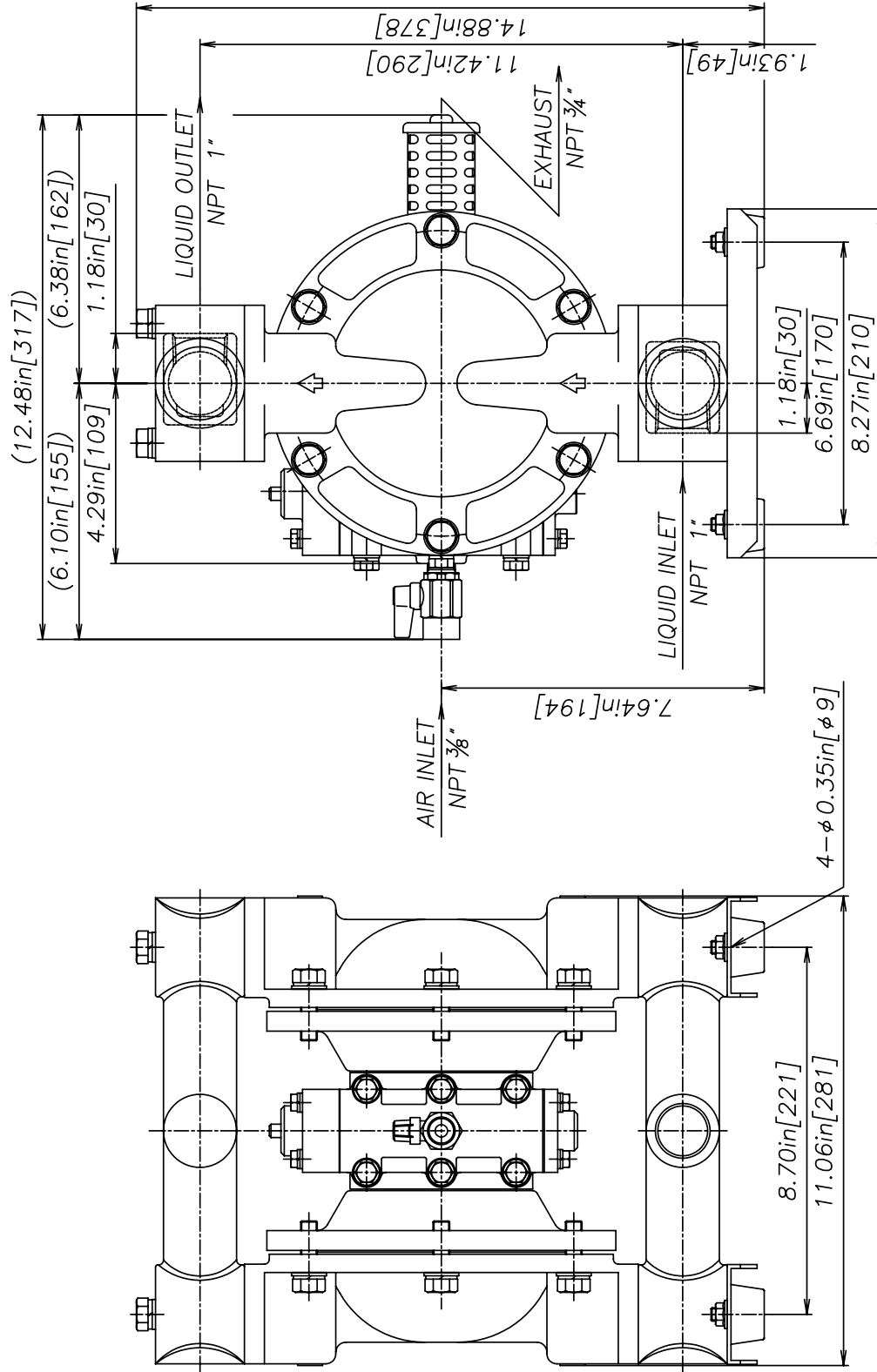


REV	DATE	DESCRIPTION	APPR'D
THE DWG.OF:			
DIAPHRAGM PUMP ASSEMBLY			
SCALE 1 : 1		DRAWN BY YJI	
DATE 02/02/06		APPROVED BY S.K.	
THIRD ANG.PROJ.	DRAWING NUMBER: NDP-25BA		REV 0

YAMADA AMERICA, INC.
 1200 NUCLEAR DRIVE - WEST CHICAGO, ILLINOIS 60185
 TOLL FREE 800-990-7867 OR 630-231-4083
 THIS IS A CAD DRAWING AND MUST NOT BE ALTERED MANUALLY.



PSI Prolew Inc.
 975 Seltirk, Pointe-Claire
 Québec, Canada H9R 4S4
 Tél: (514) 697-7867
 Fax: (514) 697-0057
 3770A Laird Road, Unit 1,
 Mississauga, ON L4V 0A7
 Tél: (905) 820-6338
 Fax: (905) 820-6338
 www.psiprolew.com

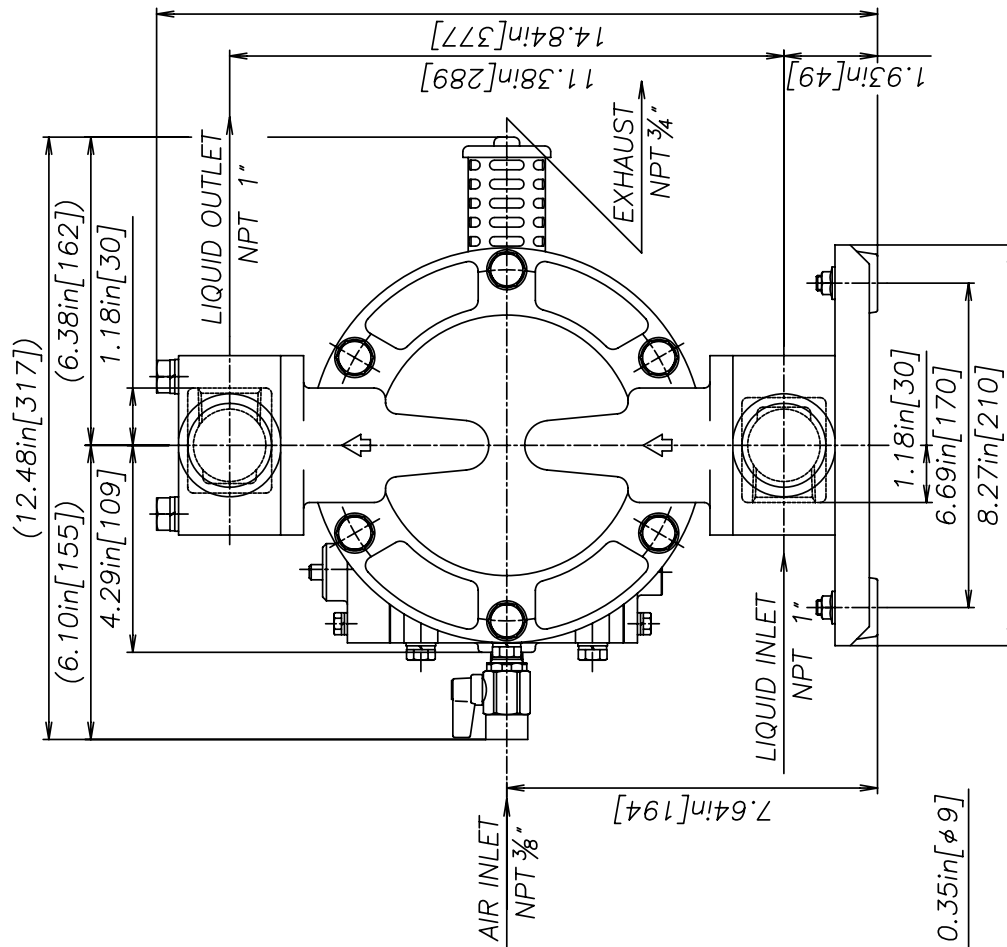


PSI Prolew Inc.
 975 Seltirk, Pointe-Claire
 Québec, Canada H9R 4S4
 Tél: (514) 697-7867
 Fax: (514) 697-0057
 3770A Laird Road, Unit 1,
 Mississauga, ON L4V 0A7
 Tél: (905) 820-6338
 Fax: (905) 820-6338
 www.psiprolew.com

REV	DATE	DESCRIPTION	APPR'D
THE DWG.OF: DIAPHRAGM PUMP ASSEMBLY			
SCALE 1 : 1		DRAWN BY YJI	
DATE 02/02/06		APPROVED BY S.K.	
THIRD ANG.PROJ.	DRAWING NUMBER: NDP-25BS		REV 0

YAMADA AMERICA, INC.
 1200 NUCLEAR DRIVE - WEST CHICAGO, ILLINOIS 60185
 TOLL FREE 800-990-7867 OR 630-231-4083
 THIS IS A CAD DRAWING AND MUST NOT BE ALTERED MANUALLY.



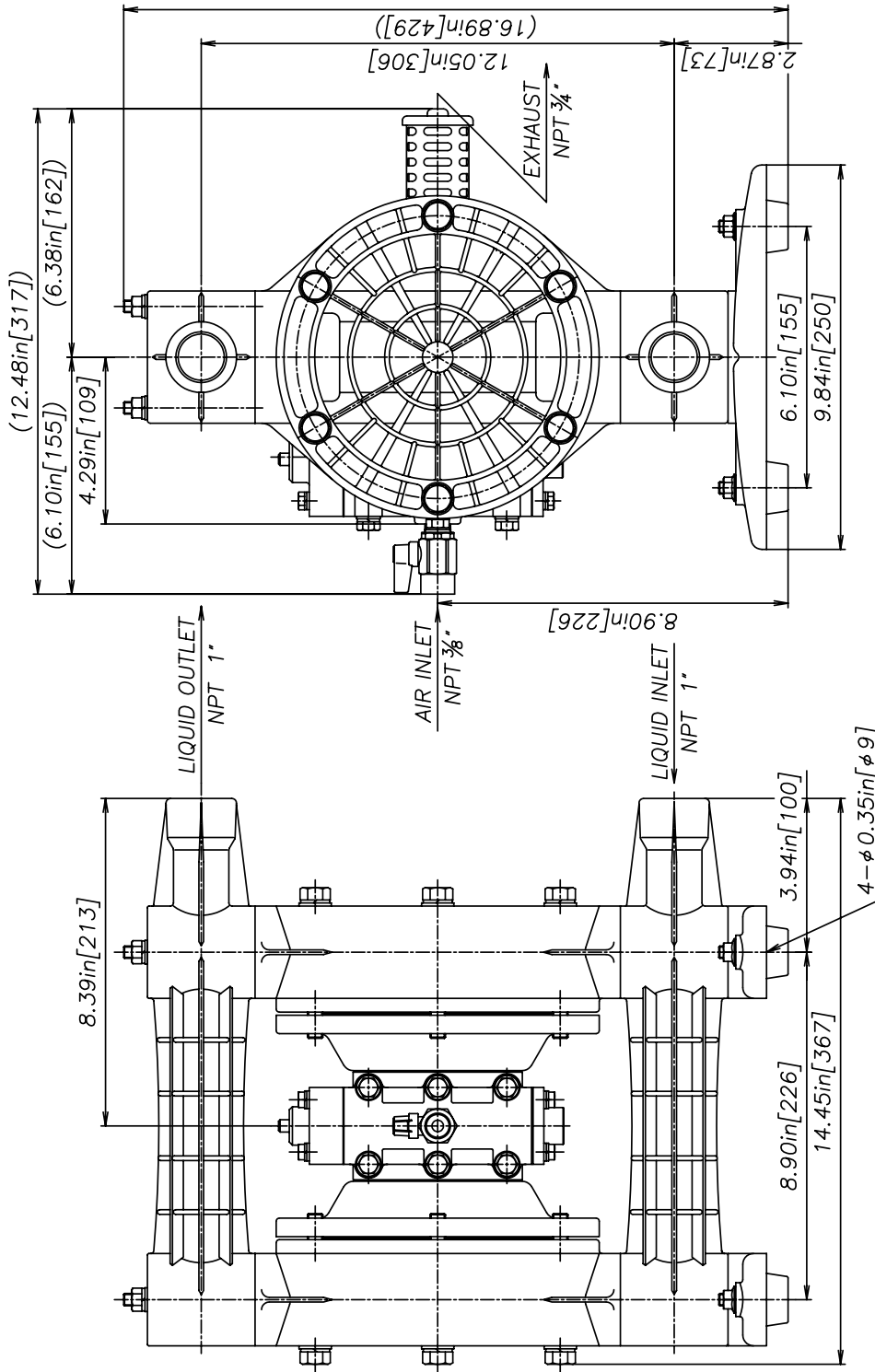


REV	DATE	DESCRIPTION	APPR'D
THE DWG.OF: DIAPHRAGM PUMP ASSEMBLY			
SCALE 1 : 1		DRAWN BY YJI	
DATE 02/02/06		APPROVED BY S.K.	
THIRD ANG.PROJ.	DRAWING NUMBER:	NDP-25BF	
REV			0

YAMADA AMERICA, INC.
 1200 NUCLEAR DRIVE - WEST CHICAGO, ILLINOIS 60185
 TOLL FREE 800-990-7867 OR 630-231-4083
 THIS IS A CAD DRAWING AND MUST NOT BE ALTERED MANUALLY.



PSI Prolew Inc.
 975 Seltirk, Pointe-Claire
 Québec, Canada H9R 4S4
 Tél: (514) 697-7867
 Fax: (514) 697-0057
 3770A Laird Road, Unit 1,
 Mississauga, ON L4V 0A7
 Tél: (905) 820-6338
 Fax: (905) 820-6338
 www.psiprolew.com

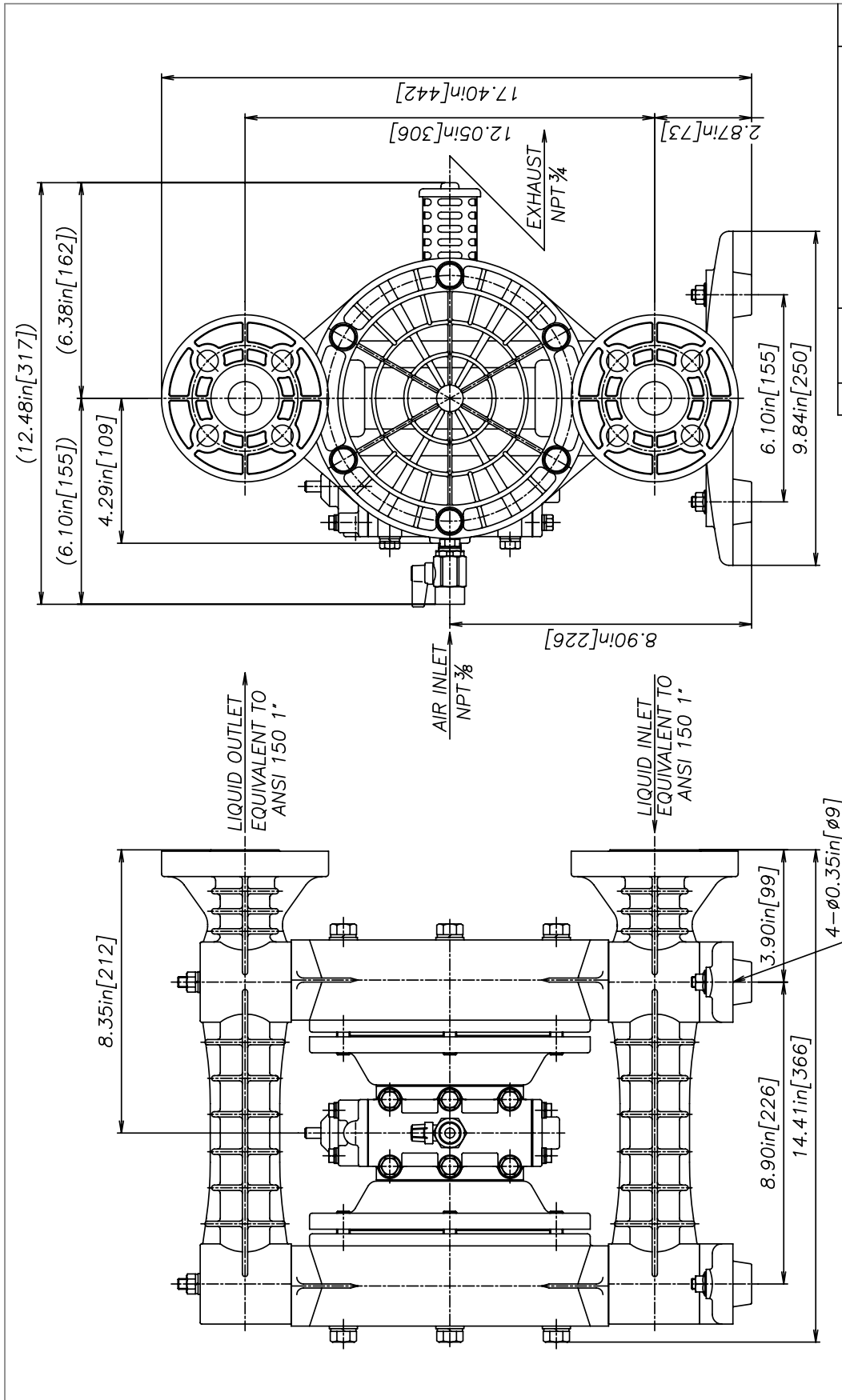


REV	DATE	DESCRIPTION	APPRD
THE DWG. OF:			
DIAPHRAGM PUMP ASSEMBLY			
SCALE	1 : 1	DRAWN BY	YJL
DATE	02/02/06	APPROVED BY	S.K.
THIRD ANG. PROJ.	DRAWING NUMBER: NDP-25BP NPT		
REV	0		

YAMADA AMERICA, INC.
 1200 NUCLEAR DRIVE - WEST CHICAGO, ILLINOIS 60185
 TOLL FREE 800-990-7867 OR 630-231-4083
 THIS IS A CAD DRAWING AND MUST NOT BE ALTERED MANUALLY.



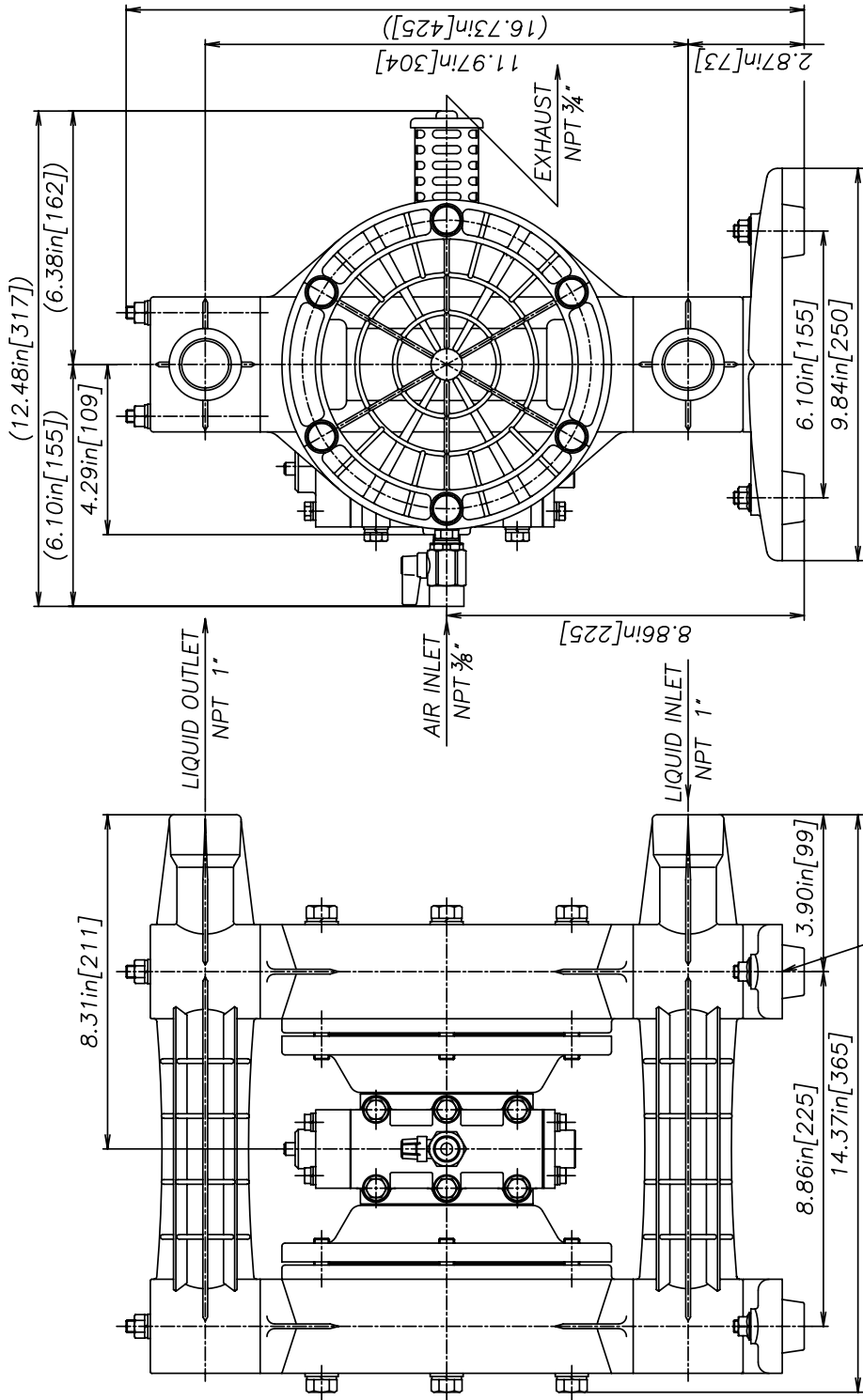
PSI Prolew Inc.
 975 Selkirk, Pointe-Claire
 Québec, Canada H9R 4S4
 Tél: (514) 697-7867
 Fax: (514) 697-0057
 3770A Laird Road, Unit 1,
 Mississauga, ON L4V 0A7
 Tél: (905) 820-6338
 Fax: (905) 820-6338
 www.psiprolew.com



PSI Prolew Inc.
 975 Seltirk, Pointe-Claire
 Québec, Canada H9R 4S4
 Tél: (514) 697-7867
 Fax: (514) 697-0057
 3770A Laird Road, Unit 1,
 Mississauga, ON L4X 0A7
 Canada
 Tél: (905) 820-6338
 Fax: (905) 820-6338
 www.psiprolew.com

YAMADA AMERICA, INC.
 1200 NUCLEAR DRIVE - WEST CHICAGO, ILLINOIS 60185
 TOLL FREE 800-990-7867 OR 630-231-4083
 THIS IS A CAD DRAWING AND MUST NOT BE ALTERED MANUALLY.

REV	DATE	DESCRIPTION	APPRD
THE DWG.OF:			
DIAPHRAGM PUMP ASSEMBLY			
SCALE	1 : 1	DRAWN BY	YJI
DATE	02/02/06	APPROVED BY	S.K.
THIRD ANG.PROJ.	DRAWING NUMBER:		REV
	NDP-25BP FLANGE		0

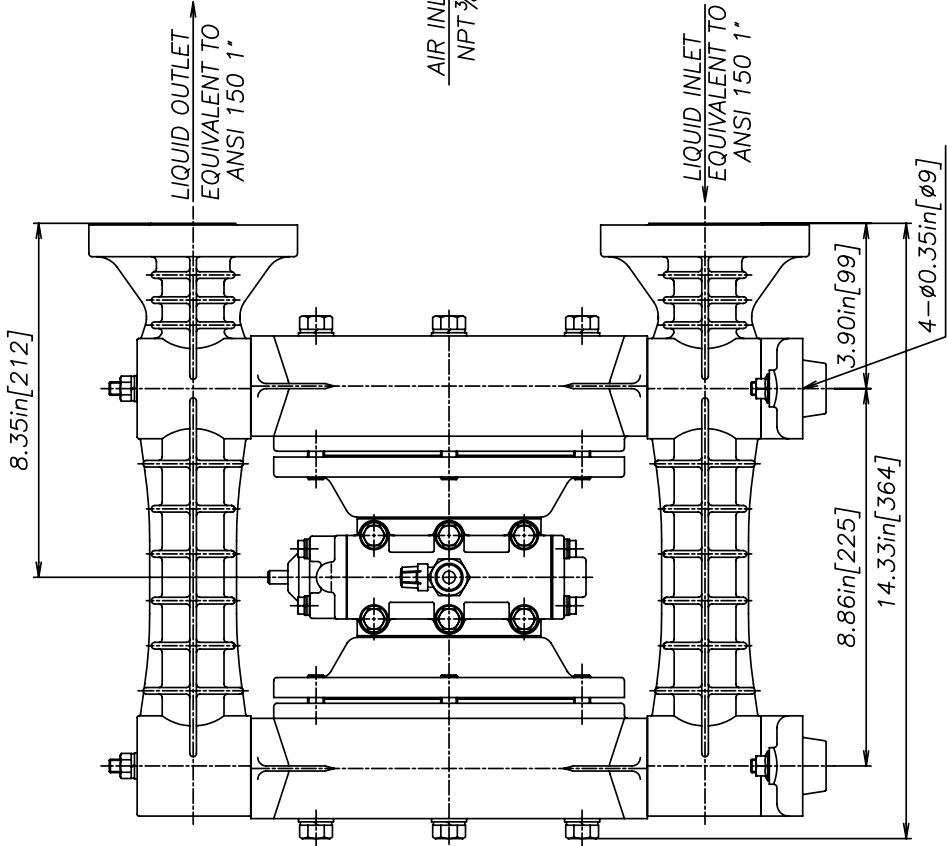
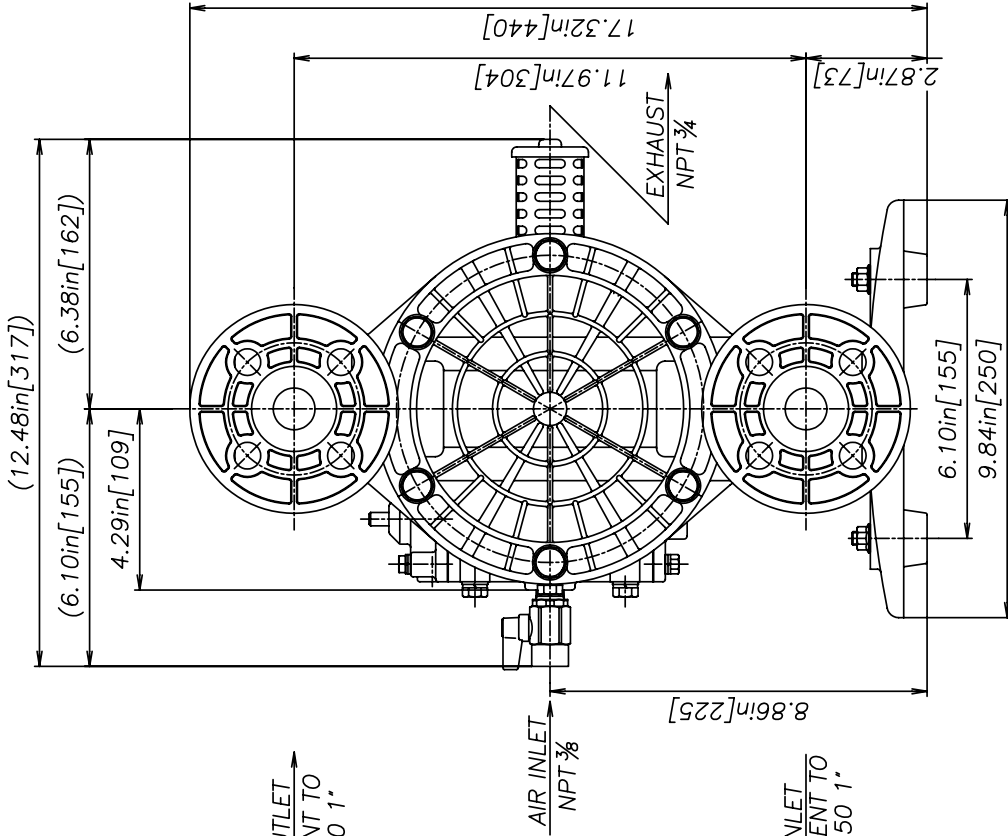


REV	DATE	DESCRIPTION	APPR'D
THE DWG. OF:			
DIAPHRAGM PUMP ASSEMBLY			
SCALE	1 : 1	DRAWN BY	YJI
DATE	02/02/06	APPROVED BY	S.K.
THIRD ANG. PROJ.	DRAWING NUMBER:		NDP-25BV NPT
REV	0		

YAMADA AMERICA, INC.
 1200 NUCLEAR DRIVE - WEST CHICAGO, ILLINOIS 60185
 TOLL FREE 800-990-7867 OR 630-231-4083
 THIS IS A CAD DRAWING AND MUST NOT BE ALTERED MANUALLY.



PSI Prolew Inc.
 975 Selkirk, Pointe-Claire
 Québec, Canada H9R 4S4
 Tél: (514) 697-7867
 Fax: (514) 697-0057
 3770A Laird Road, Unit 1,
 Mississauga, ON L4V 0A7
 Tél: (905) 820-6338
 Fax: (905) 820-6338
 www.psiprolew.com



REV	DATE	DESCRIPTION	APPRD
THE DWG.OF:			
DIAPHRAGM PUMP ASSEMBLY			
SCALE	1 : 1	DRAWN BY	YJI
DATE	02/02/06	APPROVED BY	S.K.
THIRD ANG.PROJ.		DRAWING NUMBER:	NDP-25BV FLANGE
REV			0

YAMADA AMERICA, INC.
 1200 NUCLEAR DRIVE - WEST CHICAGO, ILLINOIS 60185
 TOLL FREE 800-990-7867 OR 630-231-4083
 THIS IS A CAD DRAWING AND MUST NOT BE ALTERED MANUALLY.



PSI Prowlev Inc.
 975 Selkirk, Pointe-Claire
 Québec, Canada H9R 4S4
 Tél: (514) 697-7867
 Fax: (514) 697-0057
 3770A Laird Road, Unit 1,
 Mississauga, ON L4X 0A7
 Tél: (905) 820-6338
 Fax: (905) 820-6338
 www.psi-prolev.com

AutoCAD® is a registered trademark of Autodesk, Inc.

Hytre® is a registered trademark of E.I. du Pont de Nemours and Company.

Kynar® is a registered trademark of Arkema.

Nordel™ is a trademark of DuPont Dow Elastomers.

Ryton® is a registered trademark of Chevron Phillips Chemical Company.

Santoprene® is a registered trademark of Advanced Elastomer Systems.

Swagelok® & VCR® are trademarks of the Swagelok Companies.

Teflon® is a registered trademark of E.I. du Pont de Nemours and Company.

Viton® is a registered trademark of DuPont Performance Elastomers.

Due to Yamada's continued commitment to product improvement, specifications may change without notice.



Yamada America, Inc. 955 E. Algonquin Road, Arlington Heights, IL 60005
USA Toll-Free: 800 990-7867 Phone: 847 631-9200 Fax: 847 631-9273
E-mail: sales@yamadapump.com Web: yamadapump.com