



GLOBAL SERIES

Air-Operated Double Diaphragm Pumps

PSI Prolew Inc.
 975 Selkirk, Pointe-Claire
 Québec, Canada H9R 4S4
 Tél: (514) 697-7867
 Fax: (514) 697-0057
 www.psiprolew.com



PSI Prolew Inc.
 3770A Laird Road, Unit 1,
 Mississauga, ON L5L 0A7
 Tel: (905) 820-6330
 Fax: (905) 820-6338
 www.psiprolew.com

G-15

15 GPM Maximum Flow Rate
 1/2 inch Port Size

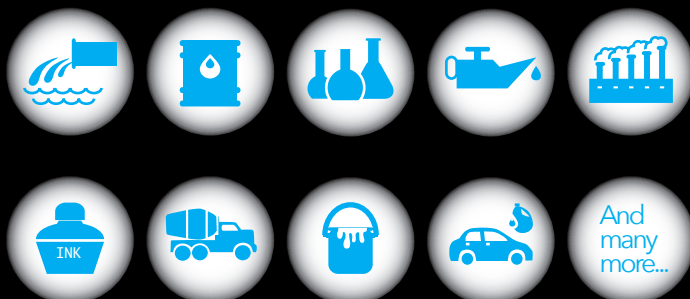


The new G-15 Series Metal Pumps are designed to provide maximum performance, while maintaining the reliability that you've grown accustomed to from Yamada. These 1/2" pumps are perfect for spraying and dispensing applications, particularly when on and off cycling reliability is critical. Utilizing our new Step Spool (S-Spool), the G-15 uses up to 30% less air than the competition. Maintenance is also a breeze with fewer removeable parts. Find out today why our motto is "The Proof is in the Pump®"!

Technical Specifications

Maximum Flow Rate	15 GPM
Port Size	1/2" Female NPT
Air Supply Pressure	30-100 PSI
Liquid Temperature	32-212°F
Maximum Air Consumption	18 SCFM
Weight	11.9 lbs.
Maximum Size Solid	1/32"
NPT Dimensions	7.32" Lx 7.64" Wx 10.4" H
Air Inlet	3/8 " Female NPT
Body Material	Aluminum (ADC-12)
Discharge Volume Per Cycle	0.042-0.045 Gallons
Dry Suction Lift.....	Rubber 15' / PTFE 12'

Applications:



G-15

15 GPM Maximum Flow Rate

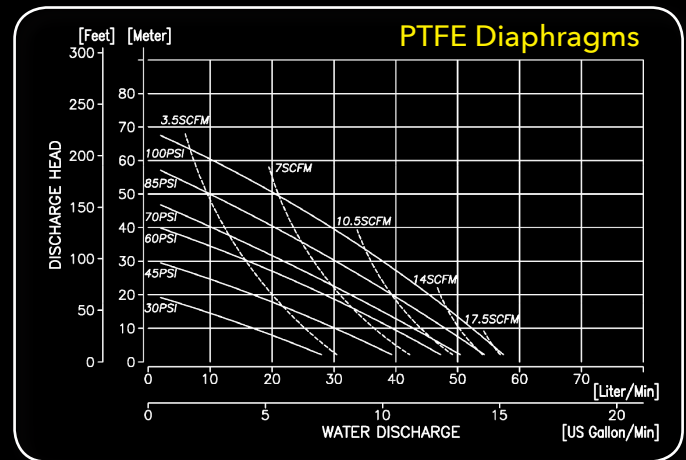
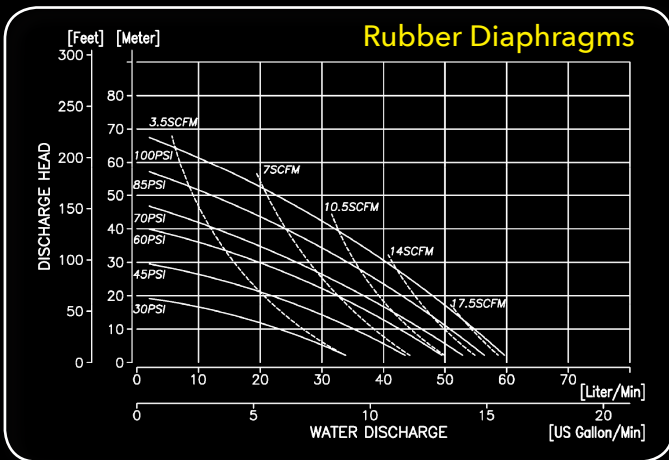
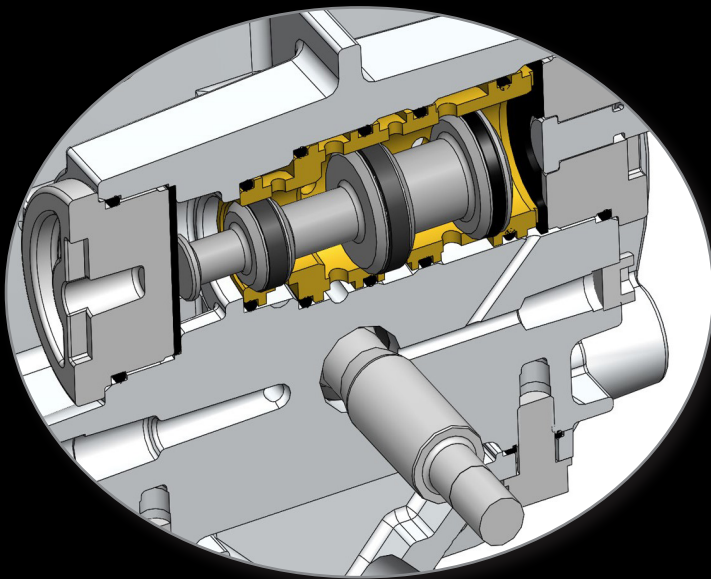
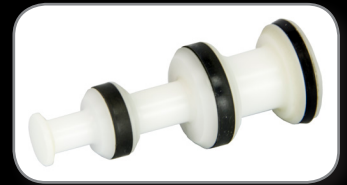
1/2 inch Port Size

Features & Benefits

- No lubrication required
- Stall Free / S-Spool Design
- Fewer Wearing Parts
- Ease of Repair - Quick teardown / Rebuild
- 30% less air consumption over competitor's pumps
- Perfect for dispensing and spraying applications
- Critical reliability for On/Off cycling

Elastomeric Options

- PTFE
- Buna N
- Santoprene®



Toll Free (800) 990-7867

Local Distributor:

PSI Prolew Inc.

975 Selkirk, Pointe-Claire
 Québec, Canada H9R 4S4
 Tél: (514) 697-7867
 Fax: (514) 697-0057
 www.psiprolew.com



PSI Prolew Inc.

3770A Laird Road, Unit 1,
 Mississauga, ON L5L 0A7
 Tel: (905) 820-6330
 Fax: (905) 820-6338
 www.psiprolew.com

Yamada® is a registered trademark of Yamada America, Inc.
 The Proof's in the Pump® is a registered trademark of Yamada America, Inc.
 The Proof is in the Pump® is a registered trademark of Yamada America, Inc.
 SolidPro® Designed to Pump Fluids Containing Solids is a registered trademark of Yamada America, Inc.
 Xtreme Duty Pro XDP® is a registered trademark of Yamada America, Inc.
 InkPRO® is a registered trademark of Yamada America, Inc.
 Santoprene® is a registered trademark of Monsanto Co.
 Step Spool (S-Spool) C.L. 3/2/2017

Form# GP0517